

DH-PFH610V-H-POE

14" vandal-proof housing



* The parameters and datasheets below can only be applied to PFH610V-H-POE-V3 Series.

- Designed with a die cast aluminum case.
- IP66 rated.
- Comes with a built-in PoE module, and supports PoE/12 VDC power supplies.
- The heating and heat dissipation modules provide the device with a wide operating temperature range.



Scene

Ideal for mounting cameras, and works in temperatures ranging from -40°C to $+60^{\circ}\text{C}$ (-40°F to $+140^{\circ}\text{F}$) and in environments with a relative humidity of less than 90%.

Technical Specification

Function

Auto Temperature Control	Heating mode: ON: $<+5^{\circ}\text{C}$ ($+41^{\circ}\text{F}$)/OFF: $\geq+5^{\circ}\text{C}$ ($+41^{\circ}\text{F}$) Cooling mode: ON: $\geq+20^{\circ}\text{C}$ ($+68^{\circ}\text{F}$)/OFF: $<+20^{\circ}\text{C}$ ($+68^{\circ}\text{F}$)
Sprinkling Control	Yes

Protection

Vanda-proof	IK10
Protection	IP66
Surge Protection Grade	Common mode: $\pm 4\text{ kV}$ Different mode: $\pm 2\text{ kV}$

Power

Power Consumption	11 W (without camera)
Power Supply	PoE+
Power Supply for Camera	PoE/12 VDC

Port

Alarm Output Port	1, used to control washer modules
-------------------	-----------------------------------

Structure

Product Material	Aluminum alloy
Product Dimensions	404.3 mm \times 163.8 mm \times 131.8 mm (15.92" \times 6.45" \times 5.19") (L \times W \times H)
Appearance Color	White
Window Dimensions	$\Phi 59.4\text{ mm}$ ($\Phi 2.34\text{"}\text{)$

Internal Usable Space	255 mm \times 90 mm \times 70.5 mm (10.04" \times 3.54" \times 2.78") (L \times W \times H) 215 mm \times 90 mm \times 83 mm (8.46" \times 3.54" \times 3.27") (L \times W \times H)
Net Weight	3.0 kg (6.61 lb)
Gross Weight	3.5 kg (7.72 lb)
Installation	Wall mount, ceiling mount, plane mount, pole mount
Screw Thread Type	G1/2
Applicable Model	Please see "Camera Accessories Selection"
Packaging Dimensions	447.0 mm \times 240.0 mm \times 234.0 mm (17.60" \times 9.45" \times 9.21") (L \times W \times H)

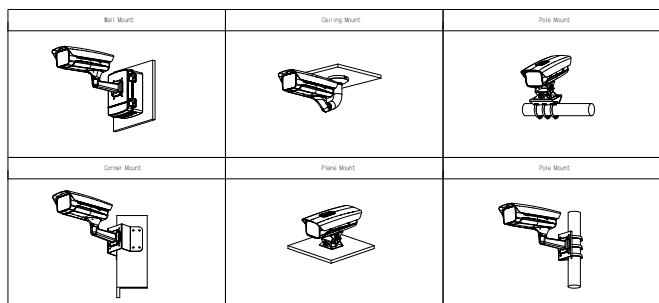
Environment

Operating Temperature	-40°C to $+60^{\circ}\text{C}$ (-40°F to $+140^{\circ}\text{F}$)
Operating Humidity	$<90\%$ (RH)
Storage Temperature	-40°C to $+60^{\circ}\text{C}$ (-40°F to $+140^{\circ}\text{F}$)
Storage Humidity	10%–90% (RH)

Certifications

Certifications	CE: EN 62368-1, EN 60950-22, EN 62560, EN55032, EN55035, EN61000-3-2, EN61000-3-3, EN50130-4 FCC: FCC part15B
----------------	--

Installation



Package Information

- 14" Corrosion-proof Housing × 1
- Installation Guide × 1
- QR code labels × 1
- Legal and Regulatory Information × 1
- Waterproof Plug × 1
- Water Joint × 2
- 1/4/20×6UNC screw × 2
- S5.0 wrench × 1
- Connecting line × 1
- Network patch cord × 1
- 12 VDC Terminal Block × 1

Dimensions (mm[inch])

