

DH-PFM907

Integrated Mount Tester



Features

- Support IP, HDCVI/AHD/HDTVI/CVBS, SDI;
- Highly compatible with ONVIF protocol;
- POE power supply/receiving & 12V/2A power output;
- 7" TFT HD capacitive touch screen (1920*1200);
- Two replaceable polymer lithium batteries 18.5Wh*2;
- Support WiFi test including spectrum, signal strength test @ 2.4G/5G Band;
- Support TDR network cable test;
- Support digital multi-meter function;
- Support optical power meter test function

Technical Specification

Model DH-PFM907

System Parameter

Screen	New 7 inch capacitive touch screen with retina display, 1920*1200 resolution, Adjustable backlight
Wi-Fi	Built in Wi-Fi, speeds 150M, allows you to connect to a wireless network and view IP cameras
Control	Power button, 13 key control button, capacitive multi touch screen input
Auto Power Off	Disable / 5~60 minutes
Language	English / Chinese
Keyboard Tone	Enable / Disable
Upgrade	Support online update on the internet

Dimension/Environmental

Dimensions	235x135x45mm
Net Weight	0.93Kg(2.05lb)
Working Temperature	-10°C~+55°C (-22°F~+158°F)
Working Humidity	30%~90% RH

IPC Test

IPC Protocol	ONVIF, RTSP, RTP
Ethernet Test	10M/100M/1G ethernet link detection, ethernet loop detection, DHCP client and server, ethernet traffic detection, data link quality detection.
IPC Test	Discovering the device, real-time video, camera configuration, PTZ test, discovering ONVIF device
IPC Image Test	H.264/H.265 decoding, support 4K@30FPS, local zoom preview (at 8 levels)
Interface	Dual-port RJ45 ethernet 1Gbps, support Series/bridge connect

Analog Test

Video Format	HDCVI/HDTVI/AHD/CVBS(NTSC, PAL)
Video Signal	1 Vpp
Video Input/Output	Video IN BNC input, Video OUT BNC output
Video Digital Zoom	Support 8x digital zoom level
Video Signal Generator	Sending NTSC/PAL video test signal, sending HDCVI/HDTVI/AHD video test signal(720P/1080P)

WiFi Test

WiFi Test	Support 2.4G&5G frequency band, WiFi connection, WiFi list, WiFi information detection, Delay detection, Test of packet loss rate
Spectrum Test	Support spatial frequency band signal scanning and detection and spatial noise signal detection
Signal Monitoring	Monitor WiFi signal change, refresh frequency: 1~10Hz
Antenna type	Foldable dual antenna, dual band dipole omnidirectional antenna

POE Test

PD Test	The tester receives the power(POE 802.3at), power supply voltage detection
PSE Test	The tester supplies the power(POE 802.3at)25.5W, PD actual power detection

HDMI Test

HDMI Input	Support 720P@25/30/50/60 Fps, 1080P@25/30Fps input signals to dispaly
HDMI Output	Support 720P@25/30/50/60 Fps, 1080P@25/30Fps various formats video signal

Audio Test

Audio Input	Support audio signal input test
-------------	---------------------------------

Digital Multi-meter

DC Voltage	2/20/200/600V measuring range, 0.1mV minimum resolution
AC Voltage	20/200/600V measuring range, 1V minimum resolution
DC Current	20/200/2000mA measuring range, 1μA minimum resolution
AC Current	20/200/2000mA measuring range, 1μA minimum resolution
Resistor	2/20/200KΩ 2/20MΩ measuring range, 0.1Ω minimun resolution
Capacitance	2/20/200nF 2/20/200μF 2/20mF measuring range, 1pF minimun resolution
Diode Forward Voltage Drop	2V measuring range, 0.1mV minimun resolution
Conductivity	2KΩ measuring range, 0.1Ω minimun resolution

Optical Power Meter

Type of Detector	InGaAs
Calibration Wavelength	1625nm/1550nm/1480nm/1310nm/1300nm/850nm
Power Range(dBm)	-70 - +10 dBm
Measurement Accuracy	<± 0.3dB(-10dBm@22 °C) <± 0.5dB(Full scale range@22 °C)
Display Resolution	Linear display: 0.1%, Logarighmic dispaly: 0.01dBm
Connector	Interchangeable FC/PC

Power Supply

Charger	12V/1.5A 5.5mm round-plug power supply
Battery	Two lithium batterys(18.5Wh) which can support 8~10 hours(it can work with a single battery)
Charging	12V/1.5A(18W) charging about 3~4 hours.
Power Output	12V/2A output interface: Round, external diameter 4mm, Internal needle: 1.6mm

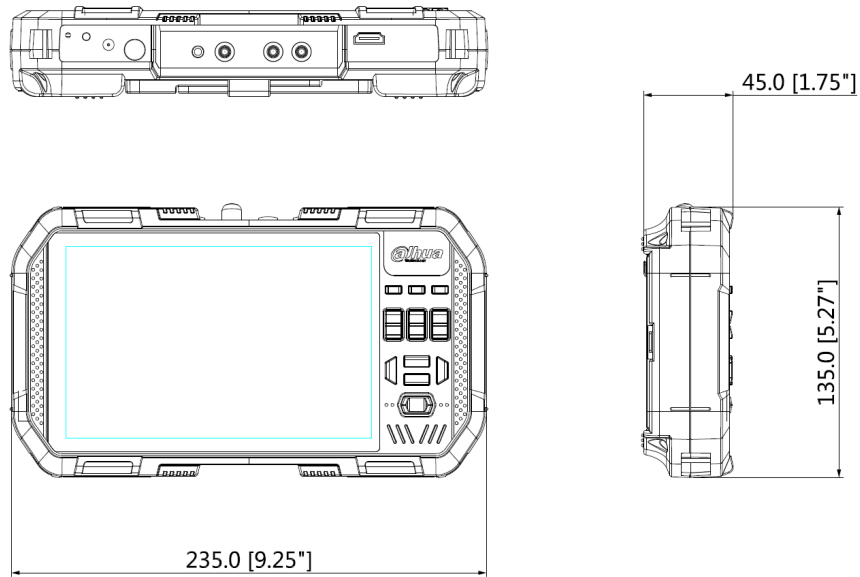
PTZ Control test

Coaxial PTZ Control	HDCVI/HDTVI/AHD protocol
RS485 Control	More than 30 protocols including Pelco-D/P, Samsung, Panasonic, Lilin, Yann & etc.

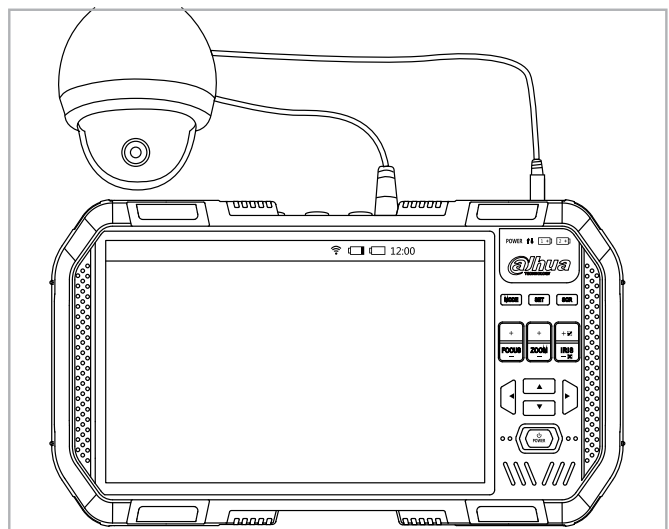
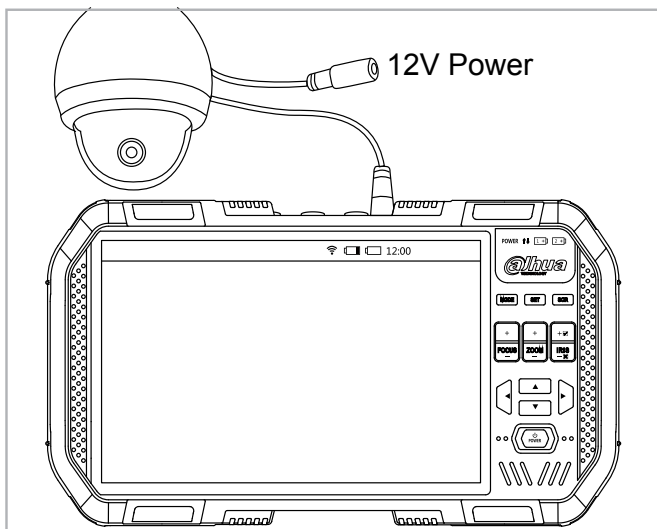
Ordering Information

Type	Part Number	Description
Integrated Mount Tester Series	DH-PFM907	Integrated Mount Tester
	PFM907	

Dimensions (mm/inch)



Application



Package Information

- Network cable tester *1
- Tool bag *1
- Warranty card *1
- User manual *1
- Power adaptor DC12V *1
- Network cable *1
- BNC cable *1
- RS485 cable *1
- 12V output cable *1
- Audio cable *1
- USB cable *1
- RS485 connection terminal *1
- Safety cord *1
- Tool bag cord *1
- Polymer lithium ion battery *2
- Multi-meter test leads one pair of red and black *1