



Converter Series

# User Manual

---

Model : AD001HDE

HDCVI / HDTV / AHD / CVBS to HDMI / VGA / Composite Video  
Selection Converter



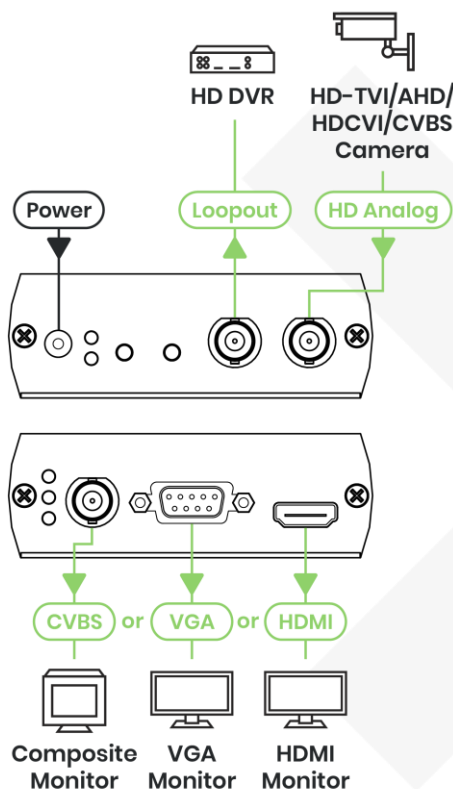
## Introduction

AD001HDE is a CCTV converter that can convert up to 8MP TVI / CVI / AHD video to 1080p HDMI / VGA / CVBS (output one signal at a time). Built-in a loop-out port to connect the second CCTV camera, a CVBS display, or a DVR. It's a perfect solution for an existing CCTV system to add an extra TV for monitoring.

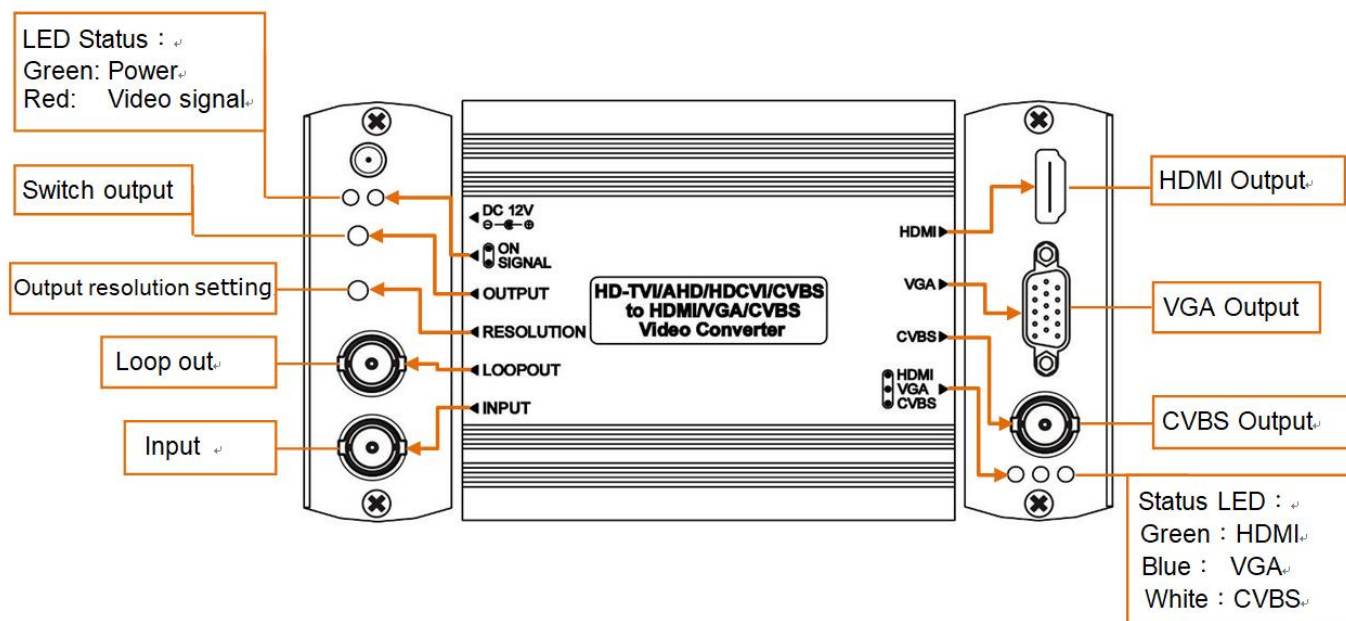
## Features

- Converts HDTVI / AHD / HDCVI / CVBS to HDMI / VGA / CVBS.
- Resolution up to 8MP@15Hz for video input.
- Resolution up to 1080p@60Hz for HDMI, VGA outputs.
- Built-in loop out for a DVR or an extra CVBS monitor.
- Outputs one (HDMI/ VGA/ CVBS) signal at a time.

## Installation View



## LED Status & Button Function



## Supported Output Resolutions

HDMI	VGA	CVBS
1080p@60Hz	1920x1080@60Hz	480i@60Hz (NTSC)
720p@60Hz	1280x720@60Hz	576i@50Hz (PAL)

## Caution

When using HDCVI camera, resolution 8MP, the maximum distance of input is 50M.

## Specification

<b>ITEM NO.</b>	<b>AD001HDE</b>
<b>Support</b>	
Video Format	HDTVI, AHD, HDCVI, HDMI, VGA, CVBS
Max. Input Video Resolution	8MP@15Hz
HDMI Resolution	1080p@60Hz, 720p@60Hz
VGA Resolution	1920 x 1080@60Hz, 1280 x 720@60Hz
CVBS Resolution	480i@60Hz (NTSC), 576i@60Hz (PAL)
<b>Ports &amp; Interfaces</b>	
Video Input	1 x BNC (75Ω 1Vpp)
Video Output	1 x HDMI Type A, 1 x D-SUB 15, BNC (75Ω 1Vpp)
Video Loop-out	1 x BNC (75Ω 1Vpp)
Switch	2 x Pushbutton
<b>Power</b>	
Power Supply	12V 500mA
Power Consumption	250mA
<b>Ambient Temperature</b>	
Operation	0 to 55°C
Storage	-20 to 85°C
Humidity	Up to 95%
<b>Physical Characteristics</b>	
Dimensions	88 x 130 x 30mm
Weight	270g