

GEKO IRN

LED ILLUMINATOR

MAIN FEATURES

- High efficiency heat sink body to ensure maximum LED durability
- Strong aluminium structure
- The illuminator is supplied in 24Vac/12-24Vdc or 90-240Vac
- Beam patterns: 10°, 30°, 60°
- Wavelengths: 850nm, 940nm and white light
- Adjustable light intensity
- Adjustable built-in photocell
- VOLT-free relay input for external activation
- VOLT free relay output for Day/Night camera
- Supplied with a wall-mount bracket
- IP66/IP67

DESCRIPTION

State of the art illuminator, which provides high reliability and excellent image quality. The GEKO lights the entire scene evenly, eliminating hotspots and underexposures, for unbeatable night-time images and secure surveillance of the area. The high efficiency heat sink body ensures maximum LED durability and protection against over-temperatures, whereas the front glass, made of special technopolymer, provides high infrared transmittance (transparent glass in the white light version). The illuminators are protected against electrostatic discharges.

The illuminator is available in versions 24Vac/12-24Vdc or 90-240Vac with integrated power supply.

GEKO is supplied with a wall-mount bracket that rotates horizontally and vertically.

The GEKO infrared illuminator guarantee is 5 years, while for GEKO with the white light is 2 years.

GEKO IRN - CONFIGURATION OPTIONS

	Beam patterns	Power supply	Wavelength		Version	
IRN	10 Narrow	A 90-240Vac	8 850nm	A	S Single illuminator	00
	30 Medium	B 12-24Vdc, 24Vac	9 940nm			
	60 Wide		W White light			

The white light (W) is only available in high-power (H) with lens 30° or 60°.



GEKO IRN 24VAC/12-24VDC



GEKO IRN 24VAC/12-24VDC



GEKO IRN 90-240VAC



GEKO IRN 24VAC/12-24VDC WHITE LIGHT

- INTEGRATED POSITIONING UNITS
- EXPLOSION-PROOF SYSTEMS
- STAINLESS STEEL SYSTEMS
- THERMAL CAMERAS
- CAMERA HOUSINGS
- DOME ENCLOSURES
- VANDAL RESISTANT HOUSINGS
- ILLUMINATORS FOR SURVEILLANCE
- P&T MOTORS AND TELEMETRY
- CAMERA BRACKETS
- DIGITAL VIDEO SYSTEMS
- CONTROL KEYBOARDS
- VIDEO SWITCHING AND DISTRIBUTION
- VIDEO AND DATA TRANSMISSION

INTEGRATED POSITIONING UNITS
EXPLOSION-PROOF SYSTEMS
STAINLESS STEEL SYSTEMS
THERMAL CAMERAS
CAMERA HOUSINGS
DOVE ENCLLOSURES
VANDAL RESISTANT HOUSINGS
ILLUMINATORS FOR SURVEILLANCE
P&T MOTORS AND TELEMETRY
CAMERA BRACKETS
DIGITAL VIDEO SYSTEMS
CONTROL KEYBOARDS
VIDEO SWITCHING AND DISTRIBUTION
VIDEO AND DATA TRANSMISSION

TECHNICAL DATA

GENERAL

Die cast aluminium body
 Supplied complete with horizontal and vertical rotating support in painted galvanized steel and painted aluminium
 Wavelengths: 850nm, 940nm and white light

MECHANICAL

Dimensions: 187x251x242mm (7.4x9.9x9.5in)
 Unit weight: 1.7Kg (3.7lb) (12-24Vdc, 24Vac), 2.2Kg (4.9lb) (90-240Vac)

ELECTRICAL

Power supply: 24Vac, 12-24Vdc and 90/240Vac
 Consumption: 30W
 State of the art SMD LED
 Adjustable built-in photocell for automatic activation and deactivation
 Input for activation by means of a volt free relay contact
 Clean contact output (Follow)
 Multipolar cable L: 2m (6.56ft)

- Telemetry: 4x0.34mm² (AWG22)
- Power supply 24Vac, 12/24Vdc: 2x0.75mm² (AWG18)
- Power supply 90/240Vac: 3x0.75mm² (AWG18)

ENVIRONMENT

Indoor/Outdoor
 Operating temperature: -50°C (-58°F)/+60°C (140°F)
 IP66/IP67 according to EN60529

CERTIFICATIONS

Electrical safety: EN60598
 Photobiological safety of lamps and lamp systems: EN62471
 Electromagnetic compatibility: EN55022, Class A
 Immunity: EN50130-4
 FCC Part 15, Class A

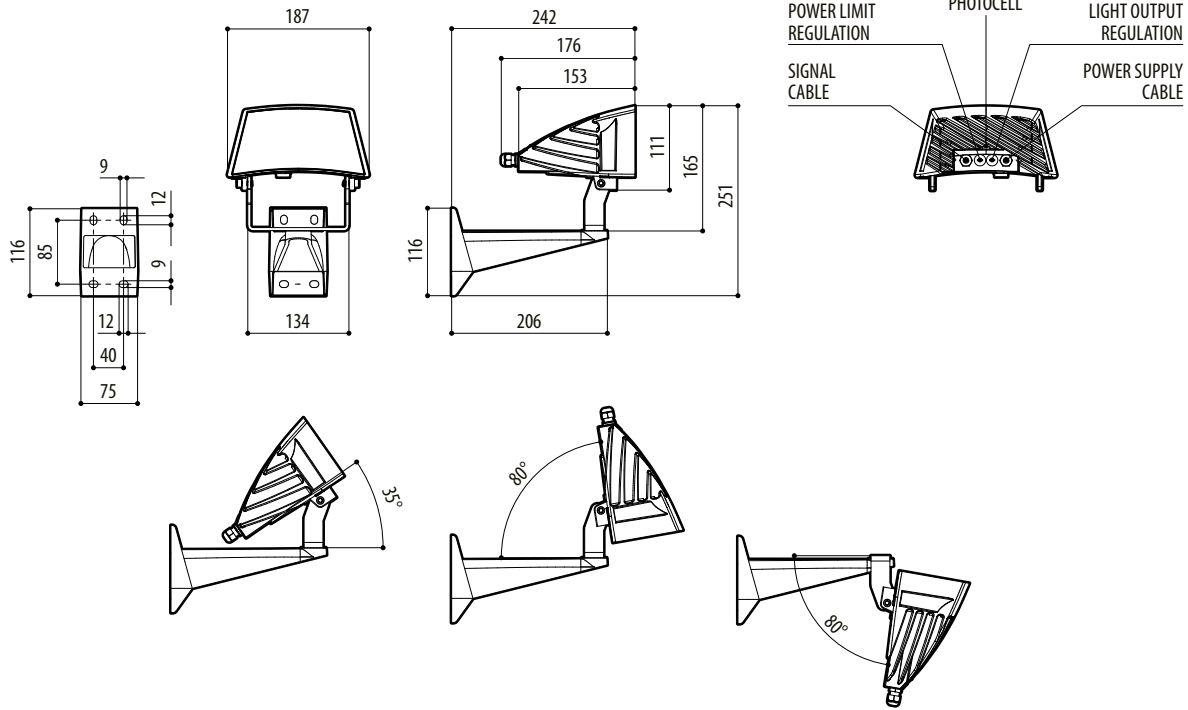
PACKAGE

Model Number	Weight	Dimensions (WxHxL)	Master carton
IRN10B8AS00	3Kg (6.6lb)	30x24x16cm (12x9.5x6.3in)	-
IRN10A8AS00	3.5Kg (7.7lb)	30x24x16cm (12x9.5x6.3in)	-

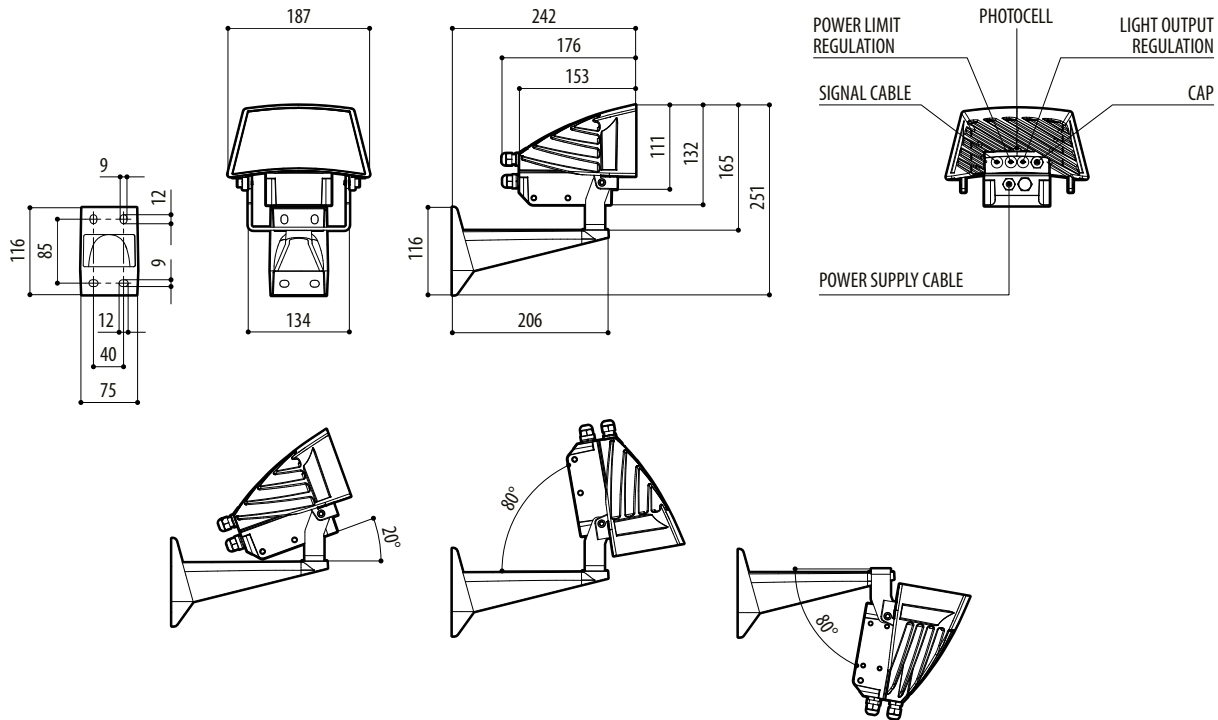
GEKO IRN - BEAM PATTERN AND ACHIEVABLE DISTANCES FOR ONE ILLUMINATOR

Horizontal/vertical beam patterns	850nm	940nm	White light
10°	240m (787ft)	140m (460ft)	
30°	130m (427ft)	80m (262ft)	120m (393ft) ¹
60°	80m (262ft)	60m (197ft)	90m (295ft) ¹

The distances and the performance depend on the camera/lens used and on the environmental conditions.
¹ Achievable distances with camera in Day mode (colour image)



GEKO IRN. 24VAC/12-24VDC VERSION.



GEKO IRN. VERSION 90-240VAC.

- INTEGRATED POSITIONING UNITS
- EXPLOSION-PROOF SYSTEMS
- STAINLESS STEEL SYSTEMS
- THERMAL CAMERAS
- CAMERA HOUSINGS
- DOME ENCLOSURES
- VANDAL RESISTANT HOUSINGS
- ILLUMINATORS FOR SURVEILLANCE
- P&T MOTORS AND TELEMETRY
- CAMERA BRACKETS
- DIGITAL VIDEO SYSTEMS
- CONTROL KEYBOARDS
- VIDEO SWITCHING AND DISTRIBUTION
- VIDEO AND DATA TRANSMISSION

VIDEO AND DATA TRANSMISSION	VIDEO SWITCHING AND DISTRIBUTION	CONTROL KEYBOARDS	DIGITAL VIDEO SYSTEMS	CAMERA BRACKETS	P&T MOTORS AND TELEMETRY	ILLUMINATORS FOR SURVEILLANCE	VANDAL RESISTANT HOUSINGS	DOME ENCLOSURES	CAMERA HOUSINGS	THERMAL CAMERAS	STAINLESS STEEL SYSTEMS	EXPLOSION-PROOF SYSTEMS	INTEGRATED POSITIONING UNITS
-----------------------------	----------------------------------	-------------------	-----------------------	-----------------	--------------------------	-------------------------------	---------------------------	-----------------	-----------------	-----------------	-------------------------	-------------------------	------------------------------

