

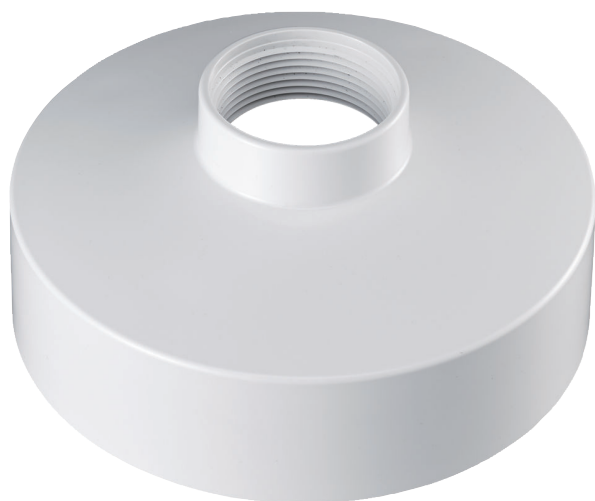
# NDA-7010-PIP Pendant interface plate FLEXIDOME 7000

www.boschsecurity.com



**BOSCH**

Invented for life



- ▶ Modular design for fast and easy installation
- ▶ Weather resistant finish to maintain cosmetic appearance
- ▶ Pendant interface plate for FLEXIDOME IP panoramic 7000 MP

This camera-specific accessory is designed for use with the new line of Bosch's universal accessories. The modular camera mounts & accessories are a family of mounts, mounting adapters, pendant interface plates and surveillance cabinets which can be used with a wide range of Bosch cameras. The accessories are easy to install and can be combined to simplify installation in multiple locations whilst retaining the same look and feel.

## Functions

This pendant interface plate is designed to enable indoor installation of the FLEXIDOME IP panoramic 7000 MP to Bosch modular pendant mounts or any third party mount with 1.5 inch NPT threads. It provides a safe and robust solution to mount the camera to:

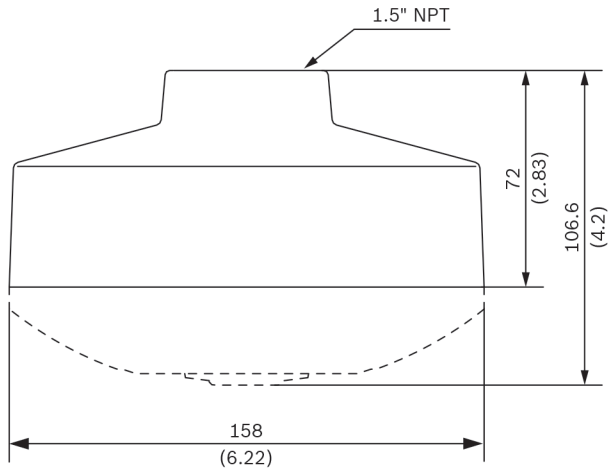
- NDA-U-WMT Pendant wall mount
- NDA-U-PMT Pendant pipe mount

## Parts included

Quantity	Component
1	Pendant interface plate
4	M5 x 10 mm T25 screw
1	M4 x 12 mm T25 screw
1	Quick Installation Guide

## Technical specifications

Mechanical	
Dimensions	Ø 158 mm (6.2 in), H = 75 mm (2.9 in)
Weight	245 g (0.54 lb)
Standard Color	White (RAL 9003)
Construction Material	Polycarbonate



Dimensions in mm (inch)

### Ordering information

#### **NDA-7010-PIP Pendant interface plate FLEXIDOME 7000**

Pendant interface plate for FLEXIDOME IP panoramic 7000.

Order number **NDA-7010-PIP**

#### Represented by:

**Europe, Middle East, Africa:**  
Bosch Security Systems B.V.  
P.O. Box 80002  
5600 JB Eindhoven, The Netherlands  
Phone: + 31 40 2577 284  
emea.securitysystems@bosch.com  
emea.boschsecurity.com

**Germany:**  
Bosch Sicherheitssysteme GmbH  
Robert-Bosch-Ring 5  
85630 Grasbrunn  
Germany  
www.boschsecurity.com

**North America:**  
Bosch Security Systems, Inc.  
130 Perinton Parkway  
Fairport, New York, 14450, USA  
Phone: +1 800 289 0096  
Fax: +1 585 223 9180  
onlinehelp@us.bosch.com  
www.boschsecurity.us

**Asia-Pacific:**  
Robert Bosch (SEA) Pte Ltd, Security Systems  
11 Bishan Street 21  
Singapore 573943  
Phone: +65 6571 2808  
Fax: +65 6571 2699  
apr.securitysystems@bosch.com  
www.boschsecurity.asia