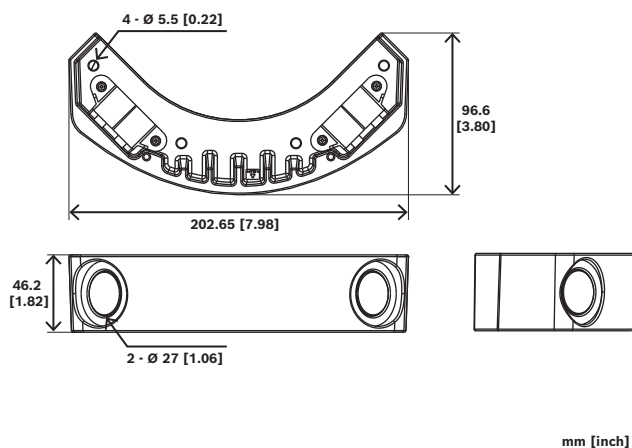


NDA-7080-CBB Conduit back box, corner



In certain building configurations, concealing cables within walls and ceilings may not always be feasible. In such installations, mounting to the surface of a wall or ceiling is necessary. Protective Electrical Metal Tubing (EMT) provides a rigid metal conduit for electrical wiring protection in building installations. The conduit back box serves as a protective housing, ensuring secure and organized cable management for the FLEXIDOME corner 7100i IR camera. It facilitates neat and safe cable routing through a ceiling pipe, ensuring enhanced protection and organized installation.

Installation/configuration notes



- ▶ Add-on storage compartment for organized cable management
- ▶ Easy to paint
- ▶ Vandal resistant design
- ▶ Impact, shock and vibration resistant

Parts included

Quantity	Component
1	Conduit back box
2	Conduit cap
2	M4 T20 screw
1	Quick installation guide

Technical specifications

Mechanical

Dimensions (Ø x H) (mm)	202.65 mm x 46.2 mm
Dimensions (Ø x H) (in)	7.98 in x 1.82 in
Conduit dimensions Ø	M25 max.
Weight (g)	311 g
Weight (lb)	0.69 lb
Material	Housing: Aluminum
Color in RAL	RAL 9003 Signal white

Ordering information

NDA-7080-CBB Conduit back box, corner

Conduit back box, corner

Order number **NDA-7080-CBB | F.01U.406.392**

Represented by:

Europe, Middle East, Africa:

Bosch Security Systems B.V.
P.O. Box 80002
5600 JB Eindhoven, The Netherlands
Phone: + 31 40 2577 284
www.boschsecurity.com/xc/en/contact/
www.boschsecurity.com

Germany:

Bosch Sicherheitssysteme GmbH
Robert-Bosch-Ring 5
85630 Grasbrunn
Tel.: +49 (0)89 6290 0
Fax: +49 (0)89 6290 1020
de.securitysystems@bosch.com
www.boschsecurity.com

North America:

Bosch Security Systems, LLC
130 Perinton Parkway
Fairport, New York, 14450, USA
Phone: +1 800 289 0096
Fax: +1 585 223 9180
onlinehelp@us.bosch.com
www.boschsecurity.com

Asia-Pacific:

Robert Bosch (SEA) Pte Ltd, Security Systems
11 Bishan Street 21
Singapore 573943
Phone: +65 6571 2808
Fax: +65 6571 2699
www.boschsecurity.com/xc/en/contact/
www.boschsecurity.com