

NDA-8000-PC Paintable cover, 4 pcs

www.boschsecurity.com



BOSCH

Invented for life



- ▶ Corrosion-resistant finish
- ▶ Easy installation

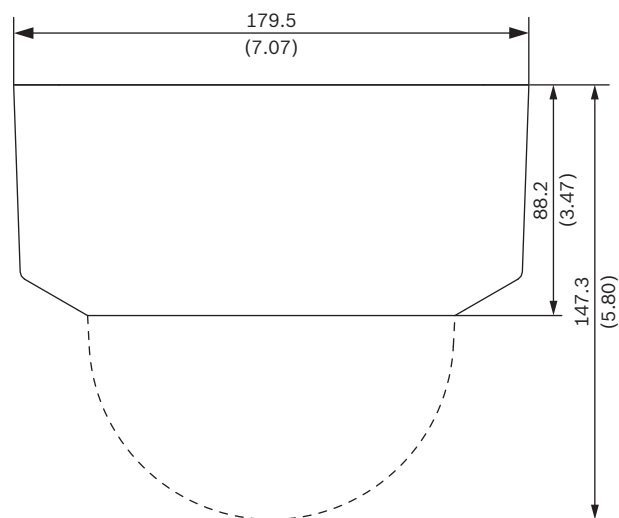
Parts included

Quantity	Component
4	Paintable cover
1	Quick Installation Guide

Technical specifications

Mechanical

Dimensions	Φ 179.5 mm (7.1 in), H = 88.2 mm (3.47 in)
Weight	138 g (0.30 lb)
Standard Color	Black
Construction Material	Polycarbonate
Environmental test method	EN 50130-5, class II



Dimensions in mm (inch)

Ordering information

NDA-8000-PC Paintable cover, 4 pcs
Paintable cover (4 pieces) for FLEXIDOME IP 8000i.
Order number **NDA-8000-PC**