

FLEXIDOME micro 3100i



- ▶ Compact design for discreet use with quick and easy installation and set-up
- ▶ Up to 5MP resolution
- ▶ IVA Pro Buildings brings reliable deep-learning based detection of persons and vehicles
- ▶ High Dynamic Range (HDR) to see every detail in both bright and dark areas of the scene
- ▶ Built-in Secure Element with Trusted Platform Module (TPM) to ensure the highest level of security for device access and data transport

The FLEXIDOME micro 3100i cameras are discreet and compact by design, offering high-quality imaging for 24/7 surveillance.

They include IVA Pro Buildings deep-learning-based video analytics for reliable detection in and around buildings and a built-in Secure Element for the highest level of data security.

The devices are available in 2 and 5MP resolutions, three lens options, and both in an indoor and a durable environmental variant.

Unique corner, plenum-rated, and L-shape wall mounts enable discreet mounting.

Additionally, the cameras are compatible with the Bosch modular mounts.

Functions

High Dynamic Range

The camera has High Dynamic Range. This is based on a multiple-exposure process that captures more details in the highlights and in the shadows even in the same scene. The result is that you can easily distinguish objects and features, for example, faces with bright backlight.

Intelligent Video Analytics Pro (IVA Pro Buildings)

The camera comes with the IVA Pro Buildings pre-installed and brings reliable deep-learning based detection and tracking of persons and vehicles. Being resistant to false triggers caused by challenging environments with rain, wind (moving

trees), snow, hail, and water reflections as well as shadows and bugs, it detects, tracks, and classifies objects.

A smart set of alarm and counter rules alerts you when predefined alarms are triggered, and enables forensic search with high efficiency though recordings. Configuration effort is minimized and made easy by removing the need for calibration.

Intelligent Streaming and H.265 encoding

The camera is designed on the most efficient and powerful H.264 and H.265/HEVC encoding platform. Intelligent streaming is capable of delivering high-quality and high-resolution video with very low network load.

With a doubling of encoding efficiency, H.265 adds even more bit-rate saving on top.

Modular accessories

A full line of modular accessories is available, which allows a consistent design across different cameras and a wide range of installation possibilities.

Available options include wall or pipe mount, a corner mount box, and an in-ceiling mounting kit.

Edge recording

Insert a memory card into the card slot to store up to 2 TB of local alarm recording. Pre-alarm recording in RAM reduces recording bandwidth on the network, and extends the effective life of the memory card. It has advanced edge recording providing a reliable storage solution possible due to the combination of these functions:

- Industrial SD card support allows for extreme lifetime
- Health monitoring of industrial SD cards provide early service indications.

DORI coverage

DORI (Detect, Observe, Recognize, Identify) is a standard system (EN-62676-4) for defining the ability of a person viewing the video to distinguish persons or objects within a covered area. The maximum distance at which a camera/lens combination can meet these criteria is shown below:

1080p camera with 2.49 mm lens

DORI	DORI definition	Distance 2.49 mm	Horizontal width
Detect	25 px/m (8 px/ft)	15 m (50 ft)	77 m (252 ft)
Observe	63 px/m (19 px/ft)	6 m (20 ft)	30 m (100 ft)
Recognize	125 px/m (38 px/ft)	3 m (10 ft)	15 m (50 ft)
Identify	250 px/m (76 px/ft)	2 m (5 ft)	8 m (25 ft)

1080p camera with 3.2 mm lens

DORI	DORI definition	Distance 3.2 mm	Horizontal width
Detect	25 px/m (8 px/ft)	29 m (95 ft)	77 m (252 ft)
Observe	63 px/m (19 px/ft)	11 m (38 ft)	30 m (100 ft)
Recognize	125 px/m (38 px/ft)	6 m (19 ft)	15 m (50 ft)
Identify	250 px/m (76 px/ft)	3 m (9 ft)	8 m (25 ft)

1080p camera with 6 mm lens

DORI	DORI definition	Distance 6 mm	Horizontal width
Detect	25 px/m (8 px/ft)	69 m (225 ft)	77 m (252 ft)
Observe	63 px/m (19 px/ft)	27 m (89 ft)	30 m (100 ft)
Recognize	125 px/m (38 px/ft)	14 m (45 ft)	15 m (50 ft)

DORI	DORI definition	Distance 6 mm	Horizontal width
Identify	250 px/m (76 px/ft)	7 m (22 ft)	8 m (25 ft)

5MP camera with 2.49 mm lens

DORI	DORI definition	Distance 2.49 mm	Horizontal width
Detect	25 px/m (8 px/ft)	24 m (77 ft)	104 m (340 ft)
Observe	63 px/m (19 px/ft)	9 m (31 ft)	41 m (135 ft)
Recognize	125 px/m (38 px/ft)	5 m (15 ft)	21 m (68 ft)
Identify	250 px/m (76 px/ft)	2 m (8 ft)	10 m (34 ft)

5MP camera with 3.2 mm lens

DORI	DORI definition	Distance 3.2 mm	Horizontal width
Detect	25 px/m (8 px/ft)	43 m (141 ft)	104 m (340 ft)
Observe	63 px/m (19 px/ft)	17 m (56 ft)	41 m (135 ft)
Recognize	125 px/m (38 px/ft)	9 m (28 ft)	21 m (68 ft)
Identify	250 px/m (76 px/ft)	4 m (14 ft)	10 m (34 ft)

5MP camera with 6 mm lens

DORI	DORI definition	Distance 6 mm	Horizontal width
Detect	25 px/m (8 px/ft)	97 m (319 ft)	104 m (340 ft)
Observe	63 px/m (19 px/ft)	39 m (127 ft)	41 m (135 ft)
Recognize	125 px/m (38 px/ft)	19 m (64 ft)	21 m (68 ft)
Identify	250 px/m (76 px/ft)	10 m (32 ft)	10 m (34 ft)

Data security

Special measures have been put in place to ensure the highest level of security for device access and data transport. The three-level password protection with security recommendations allows users to

customize device access. Web browser access can be protected using HTTPS and firmware updates can also be protected with authenticated secure uploads. The cameras have built-in Secure Element (SE) hardware providing main Trusted Platform Module (TPM) functionality to ensure the highest levels of data security and privacy protection. Together with Public Key Infrastructure (PKI) support, superior protection from malicious attacks is guaranteed. The cameras also support RSA encryption key lengths of up to 4096 bits, ensuring data safety beyond 2030, as well as 802.1x network authentication with EAP/TLS. The advanced certificate handling offers:

- Bosch origin device certificate pre-installed
- Self-signed unique certificates automatically created when required
- Client and server certificates for authentication
- Client certificates for proof of authenticity
- Certificates with encrypted private keys

Bosch Remote Portal

With the secure cloud infrastructure, Bosch Remote Portal, you can manage your connected Bosch devices. From the Bosch Remote Portal you can:

- Complete initial configuration of your connected Bosch devices (online or offline).
- Update firmware for single or multiple devices.
- Manage certificates.
- Monitor the health of your connected Bosch devices.

System integration and ONVIF conformance

The camera conforms to the ONVIF Profile S, ONVIF Profile G, ONVIF Profile M, and ONVIF Profile T specifications. For H.265 configuration, the camera supports Media Service 2, which is part of ONVIF Profile T. Compliance with these standards guarantees interoperability between network video products regardless of manufacturer.

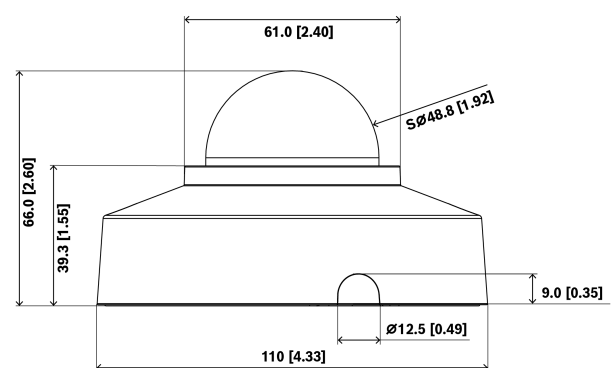
Third-party integrators can easily access the internal feature set of the camera for integration into large projects. Visit the Bosch Integration Partner Program (IPP) website (ipp.boschsecurity.com) for more information.

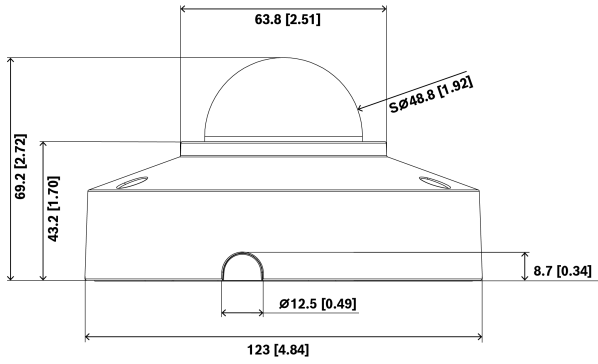
Regulatory information

Standard	Type
Emission	EN 55032 (Class A) CFR 47 FCC part 15 (Class A) VCCI (Class A) AS/NZS CISPR32 (Class A)
Immunity	EN 55035 EN 61000-6-1 EN 61000-6-2
Environmental	IEC 60068-2-1

Standard	Type
	IEC 60068-2-2 IEC 60068-2-6 IEC 60068-2-14 IEC 60068-2-27 EN IEC 63000: 2018 RoHS EU, 2011/65/EU and 2015/863/EU WEEE EU, 2012/19/EU Packaging EU, 94/62/EU N2580-1 (Bosch standard) N33.6 (Bosch standard)
Safety	EN IEC 62368-1 IEC 62368-1 UL 62368-1 (Outdoor models only) EN/IEC/UL 60950-22
Ingress protection (outdoor models only)	EN 60529 (IP66)
Image performance	IEC 62676-5
Color representation	ITU-R BT.709-6
ONVIF conformance	EN 50132-5-2, EN 62676-2
Impact protection	(Indoor models) EN 62262 (IK08): 2002 (Outdoor models) EN 62262 (IK10): 2002
Marks	CE, FCC, UL, WEEE, RCM, VCCI, UKCA, BIS, KCC, SASO, CMIM, Sweden PVC free
Compliance	(All models) NDAA compliant (-GOV models) TAA compliant

Installation/configuration notes





Dimensions in mm (inch)

Technical specifications

Electrical

PoE input	PoE IEEE 802.3af / 802.3at Type 1, Class 3
Power consumption PoE (W) (typical – maximum)	3.2 W – 4.5 W

Sensor

	2 MP variants
Total sensor pixels	2 MP approx.
Sensor type	1/2.8 inch CMOS
Effective pixels (H x V)	1,920 x 1,080
	5 MP variants
Total sensor pixels	5 MP approx.
Sensor type	1/2.7 inch CMOS
Effective pixels (H x V)	2,592 x 1,944

Sensitivity

	2 MP variants
Color (lx)	NUV-3702-F02, NUV-3702-F02-GOV, NUE-3702-F02, NUE-3702-F02-GOV: 0.1 lx NUV-3702-F04, NUV-3702-F04H, NUV-3702-F04-GOV, NUE-3702-F04, NUE-3702-F04-GOV: 0.1 lx NUV-3702-F06, NUV-3702-F06-GOV, NUE-3702-F06, NUE-3702-F06-GOV: 0.1 lx

	2 MP variants
High Dynamic Range (HDR) (dB)	120 dB

	5 MP variants
Color (lx)	NUV-3703-F02, NUV-3703-F02H, NUV-3703-F02-GOV, NUE-3703-F02, NUE-3703-F02-GOV: 0.15 lx NUV-3703-F04, NUV-3703-F04-GOV, NUE-3703-F04, NUE-3703-F04-GOV: 0.15 lx NUV-3703-F06, NUV-3703-F06-GOV, NUE-3703-F06, NUE-3703-F06-GOV: 0.15 lx

High Dynamic Range (HDR) (dB)	120 dB
-------------------------------	--------

Optical

	2 MP variants
Lens focal length (mm)	NUV-3702-F02, NUV-3702-F02-GOV, NUE-3702-F02, NUE-3702-F02-GOV: 2.49 mm NUV-3702-F04, NUV-3702-F04H, NUV-3702-F04-GOV, NUE-3702-F04, NUE-3702-F04-GOV: 3.2 mm NUV-3702-F06, NUV-3702-F06-GOV, NUE-3702-F06, NUE-3702-F06-GOV: 6 mm

Lens aperture (f/F)	NUV-3702-F02, NUV-3702-F02-GOV, NUE-3702-F02, NUE-3702-F02-GOV: 1.7 f NUV-3702-F04, NUV-3702-F04H, NUV-3702-F04-GOV, NUE-3702-F04, NUE-3702-F04-GOV: 1.6 f NUV-3702-F06, NUV-3702-F06-GOV, NUE-3702-F06, NUE-3702-F06-GOV: 1.9 f
---------------------	--

Horizontal field of view (°)	NUV-3702-F02, NUV-3702-F02-GOV, NUE-3702-F02, NUE-3702-F02-GOV: 137° NUV-3702-F04, NUV-3702-F04H, NUV-3702-F04-GOV, NUE-3702-F04, NUE-3702-F04-GOV: 106° NUV-3702-F06, NUV-3702-F06-GOV, NUE-3702-F06, NUE-3702-F06-GOV: 58.5°
------------------------------	--

Vertical field of view (°)	NUV-3702-F02, NUV-3702-F02-GOV, NUE-3702-F02, NUE-3702-F02-GOV: 72.8°
----------------------------	---

2 MP variants	
	NUV-3702-F04, NUV-3702-F04H, NUV-3702-F04-GOV, NUE-3702-F04, NUE-3702-F04-GOV: 56° NUV-3702-F06, NUV-3702-F06-GOV, NUE-3702-F06, NUE-3702-F06-GOV: 31.3°
5 MP variants	
Lens focal length (mm)	NUV-3703-F02, NUV-3703-F02H, NUV-3703-F02-GOV, NUE-3703-F02, NUE-3703-F02-GOV: 2.49 mm NUV-3703-F04, NUV-3703-F04-GOV, NUE-3703-F04, NUE-3703-F04-GOV: 3.2 mm NUV-3703-F06, NUV-3703-F06-GOV, NUE-3703-F06, NUE-3703-F06-GOV: 6 mm
Lens aperture (/F)	NUV-3703-F02, NUV-3703-F02H, NUV-3703-F02-GOV, NUE-3703-F02, NUE-3703-F02-GOV: 1.7 f NUV-3703-F04, NUV-3703-F04-GOV, NUE-3703-F04, NUE-3703-F04-GOV: 1.6 f NUV-3703-F06, NUV-3703-F06-GOV, NUE-3703-F06, NUE-3703-F06-GOV: 1.9 f
Horizontal field of view (°)	NUV-3703-F02, NUV-3703-F02H, NUV-3703-F02-GOV, NUE-3703-F02, NUE-3703-F02-GOV: 131.2° NUV-3703-F04, NUV-3703-F04-GOV, NUE-3703-F04, NUE-3703-F04-GOV: 100.8° NUV-3703-F06, NUV-3703-F06-GOV, NUE-3703-F06, NUE-3703-F06-GOV: 56.1°
Vertical field of view (°)	NUV-3703-F02, NUV-3703-F02H, NUV-3703-F02-GOV, NUE-3703-F02, NUE-3703-F02-GOV: 91.4° NUV-3703-F04, NUV-3703-F04-GOV, NUE-3703-F04, NUE-3703-F04-GOV: 69.2° NUV-3703-F06, NUV-3703-F06-GOV, NUE-3703-F06, NUE-3703-F06-GOV: 39.2°

Video functions

Day/night modes	Auto (adjustable switch points); Color; Monochrome
-----------------	--

Camera functionality	Mirror image; Rotation 90°; Rotation 180°; Rotation 270° including up-right mode; Backlight compensation (BLC); Sharpness enhancement; Intelligent defog; Pixel counter; Saturation; Brightness; Video watermarking; Display stamping; Location
White balance (K)	2,000 K – 10,000 K
White balance modes	Basic; Standard; Manual mode; Hold mode; 3 automatic modes; Sodium lamp auto
Shutter modes	Automatic Electronic Shutter (AES); 1/15,000 max; Default shutter; 1/25 [30] min; 1/15,000 max; Default shutter
Number of privacy masks	8

Video streaming

Video compression	H.264 (ISO/IEC 14496-10); M-JPEG; H.265/HEVC
Streaming	Multiple configurable streams in H.265; H.264 and M-JPEG; Configurable framerate and bandwidth; Bosch Intelligent Streaming
Camera processing latency	<120ms
GOP structure	IP
Frame rate (fps)	1 fps – 30 fps
Video signal-to-noise ratio (dB)	>55 dB
Video resolution (H x V)	5 MP variants only: 5MP (4:3), 2592 x 1944, to 0.1MP (4:3), 320x240 3.8MP (16:9), 2592 x 1456 to 0.1MP (16:9), 512 x 288 2 MP variants only: HD 1080p (16:9), 1920 x 1080 to 0.1MP (16:9), 512 x 288

Video content analysis

Analysis type	Intelligent Video Analytics Pro: IVA Pro Buildings
---------------	--

Alarm triggers	Any object; Object in field; Line crossing; Enter / leave field; Loitering; Follow route; Counting; Occupancy; Condition change; Similarity search; Objects stopping or starting to move
Object filters	Duration; Size; Aspect ratio; Direction; Color
Tracking modes	Base tracking (2D)
Object classes	Person; Vehicle
Number of possible alarm rules (simultaneously)	16
Additional functionalities	Tamper detection

Inputs and outputs

Ethernet	Shielded RJ45
----------	---------------

Storage

Internal storage	5-s-pre-alarm-recording
Memory card slot	Micro SDHC; Micro SDXC (a memory card of Class 6 or higher is recommended for HD recording)
Memory card capacity (GB)	32 GB for Micro SDHC; 2 TB for Micro SDXC card
Industrial SD cards	Extreme lifetime and health monitoring support that provides early service indication

Data security

Secure element	RSA 4096 bit; AES/CBC 256 bit
PKI	X.509 certificates
End-to-end encryption	Full end-to-end with supported VMS
Encryption	TLS 1.2; AES 256; AES 128; TLS 1.3
Local storage encryption	XTS-AES
Video authentication	MD5; SHA-1; SHA-256; Checksum
Firmware protection	Signed firmware; Secure boot

Platform

Common Product Platform	CPP14.3
-------------------------	---------

Network

Ethernet type	10/100BASE-T
---------------	--------------

System integration

Protocols / standards	IPv4; IPv6; UDP; TCP; HTTP; HTTPS; RTP/RTCP; IGMP V2/V3; ICMP; ICMPv6; RTSP; FTP; ARP; DHCP; APIPA (Auto-IP, link local address); NTP (SNTP); SNMP (V1, MIBII); SNMP (V3, MIBII); DNS; DNSv6; DDNS (DynDNS.org, selfHOST.de, no-ip.com); SMTP; iSCSI; UPnP (SSDP); DiffServ (QoS); LLDP; SOAP; CHAP; Digest authentication
Conformity	ONVIF Profile S; ONVIF Profile G; ONVIF Profile T; ONVIF Profile M

Mechanical

	All indoor variants
Pan range (°)	0° - 355°
Tilt range (°)	0° - 75°
Roll range (°)	0° - 355°
Dimensions (Ø x H) (mm)	110 mm x 66 mm
Dimensions (Ø x H) (in)	4.33 in x 2.6 in
Weight (g)	230 g
Weight (lb)	0.51 lb
Color	White
Color in RAL	RAL 9003 Signal white
Bubble material	Clear polycarbonate
Coating type	Clear with anti-scratch coating
Material	Polycarbonate housing

	All indoor variants
Mounting type	Surface-mounted
	All outdoor variants
Pan range (°)	0° - 355°
Tilt range (°)	0° - 75°
Roll range (°)	0° - 355°
Dimensions (Ø x H) (mm)	123 mm x 69.2 mm
Dimensions (Ø x H) (in)	4.84 in x 2.72 in
Weight (g)	480 g
Weight (lb)	1.06 lb
Color	White
Color in RAL	RAL 9003 Signal white
Bubble material	Clear polycarbonate
Coating type	Clear with anti-scratch coating
Material	Aluminum Alloy housing with dehumidifying membrane and waterproof connection area
Mounting type	Surface-mounted

Environmental

	All indoor variants
Operating temperature (°C)	0°C - 40°C
Operating temperature (°F)	32°F - 104°F
Storage temperature (°C)	-30°C - 70°C
Storage temperature (°F)	-22°F - 158°F
Operating relative humidity, non-condensing (%)	5% - 93%
Storage relative humidity (%)	5% - 95%
Impact protection	IK08
Sustainability	PVC free
Country of origin	(non-GOV models) Thailand (-GOV models) Taiwan
	All outdoor variants
Operating temperature (°C)	-30°C - 50°C

	All outdoor variants
Operating temperature (°F)	-22°F - 122°F
Cold start temperature (°C)	-20°C
Cold start temperature (°F)	-4°F
Storage temperature (°C)	-50°C - 70°C
Storage temperature (°F)	-58°F - 158°F
Operating relative humidity, non-condensing (%)	5% - 93%
Operating relative humidity, condensing (%)	5% - 100%
Storage relative humidity (%)	5% - 95%
Impact protection	IK10
IP rating	IP66
Sustainability	PVC free
Country of origin	(non-GOV models) Thailand (-GOV models) Taiwan

Ordering information

NUV-3702-F02 Micro dome 2MP HDR 137°

Fixed dome camera for indoor 30 fps surveillance with H.264/H.265 and IVA Pro Buildings, 2MP, 137° lens, IK08, NDAA compliant
Order number **NUV-3702-F02**

NUV-3702-F04 Micro dome 2MP HDR 106°

Fixed dome camera for indoor 30 fps surveillance with H.264/H.265 and IVA Pro Buildings, 2MP, 106° lens, IK08, NDAA compliant
Order number **NUV-3702-F04**

NUV-3702-F06 Micro dome 2MP HDR 58°

Fixed dome camera for indoor 30 fps surveillance with H.264/H.265 and IVA Pro Buildings, 2MP, 58° lens, IK08, NDAA compliant
Order number **NUV-3702-F06**

NUV-3703-F02 Micro dome 5MP HDR 131°

Fixed dome camera for indoor 30 fps surveillance with H.264/H.265 and IVA Pro Buildings, 5MP, 131° lens, IK08, NDAA compliant
Order number **NUV-3703-F02**

NUV-3703-F04 Micro dome 5MP HDR 101°

Fixed dome camera for indoor 30 fps surveillance with H.264/H.265 and IVA Pro Buildings, 5MP, 101° lens, IK08, NDAA compliant
Order number **NUV-3703-F04**

NUV-3703-F06 Micro dome 5MP HDR 56°

Fixed dome camera for indoor 30 fps surveillance with H.264/H.265 and IVA Pro Buildings, 5MP, 56° lens, IK08, NDAA compliant
Order number **NUV-3703-F06**

NUV-3702-F04H Micro dome 2MP HDR 106° HDMI

Fixed dome camera for indoor 30 fps surveillance with H.264/H.265 and IVA Pro Buildings, 2MP, 106° lens, IK08, HDMI, NDAA compliant
Order number **NUV-3702-F04H**

NUV-3703-F02H Micro dome 5MP HDR 131° HDMI

Fixed dome camera for indoor 30 fps surveillance with H.264/H.265 and IVA Pro Buildings, 5MP, 131° lens, IK08, HDMI, NDAA compliant
Order number **NUV-3703-F02H**

NUV-3702-F02-GOV Micro dome 2MP HDR 137°

Fixed dome camera for indoor 30 fps surveillance with H.264/H.265 and IVA Pro Buildings, 2MP, 137° lens, IK08, NDAA compliant and TAA compliant
Available in North America only
Order number **NUV-3702-F02-GOV**

NUV-3702-F04-GOV Micro dome 2MP HDR 106°

Fixed dome camera for indoor 30 fps surveillance with H.264/H.265 and IVA Pro Buildings, 2MP, 106° lens, IK08, NDAA compliant and TAA compliant
Available in North America only
Order number **NUV-3702-F04-GOV**

NUV-3702-F06-GOV Micro dome 2MP HDR 58°

Fixed dome camera for indoor 30 fps surveillance with H.264/H.265 and IVA Pro Buildings, 2MP, 58° lens, IK08, NDAA compliant and TAA compliant
Available in North America only
Order number **NUV-3702-F06-GOV**

NUV-3703-F02-GOV Micro dome 5MP HDR 131°

Fixed dome camera for indoor 30 fps surveillance with H.264/H.265 and IVA Pro Buildings, 5MP, 131° lens, IK08, NDAA compliant and TAA compliant
Available in North America only
Order number **NUV-3703-F02-GOV**

NUV-3703-F04-GOV Micro dome 5MP HDR 101°

Fixed dome camera for indoor 30 fps surveillance with H.264/H.265 and IVA Pro Buildings, 5MP, 101° lens, IK08, NDAA compliant and TAA compliant
Available in North America only
Order number **NUV-3703-F04-GOV**

NUV-3703-F06-GOV Micro dome 5MP HDR 56°

Fixed dome camera for indoor 30 fps surveillance with H.264/H.265 and IVA Pro Buildings, 5MP, 56° lens, IK08, NDAA compliant and TAA compliant
Available in North America only
Order number **NUV-3703-F06-GOV**

NUE-3702-F02 Micro dome 2MP HDR 137° IP66 IK10

Fixed dome camera for outdoor 30 fps surveillance with H.264/H.265 and IVA Pro Buildings, 2MP, 137° lens, IP66, IK10, NDAA compliant
Order number **NUE-3702-F02**

NUE-3702-F04 Micro dome 2MP HDR 106° IP66 IK10

Fixed dome camera for outdoor 30 fps surveillance with H.264/H.265 and IVA Pro Buildings, 2MP, 106° lens, IP66, IK10, NDAA compliant
Order number **NUE-3702-F04**

NUE-3702-F06 Micro dome 2MP HDR 58° IP66 IK10

Fixed dome camera for outdoor 30 fps surveillance with H.264/H.265 and IVA Pro Buildings, 2MP, 58° lens, IP66, IK10, NDAA compliant
Order number **NUE-3702-F06**

NUE-3703-F02 Micro dome 5MP HDR 131° IP66 IK10

Fixed dome camera for outdoor 30 fps surveillance with H.264/H.265 and IVA Pro Buildings, 5MP, 131° lens, IP66, IK10, NDAA compliant
Order number **NUE-3703-F02**

NUE-3703-F04 Micro dome 5MP HDR 101° IP66 IK10

Fixed dome camera for outdoor 30 fps surveillance with H.264/H.265 and IVA Pro Buildings, 5MP, 101° lens, IP66, IK10, NDAA compliant
Order number **NUE-3703-F04**

NUE-3703-F06 Micro dome 5MP HDR 56° IP66 IK10

Fixed dome camera for outdoor 30 fps surveillance with H.264/H.265 and IVA Pro Buildings, 5MP, 56° lens, IP66, IK10, NDAA compliant
Order number **NUE-3703-F06**

NUE-3702-F02-GOV Micro dome 2MP HDR 137° IP66 IK10

Fixed dome camera for outdoor 30 fps surveillance with H.264/H.265 and IVA Pro Buildings, 2MP, 137° lens, IP66, IK10, NDAA compliant and TAA compliant
Available in North America only
Order number **NUE-3702-F02-GOV**

NUE-3702-F04-GOV Micro dome 2MP HDR 106° IP66 IK10

Fixed dome camera for outdoor 30 fps surveillance with H.264/H.265 and IVA Pro Buildings, 2MP, 106° lens, IP66, IK10, NDAA compliant and TAA compliant
Available in North America only
Order number **NUE-3702-F04-GOV**

NUE-3702-F06-GOV Micro dome 2MP HDR 58° IP66 IK10

Fixed dome camera for outdoor 30 fps surveillance with H.264/H.265 and IVA Pro Buildings, 2MP, 58° lens, IP66, IK10, NDAA compliant and TAA compliant
Available in North America only
Order number **NUE-3702-F06-GOV**

NUE-3703-F02-GOV Micro dome 5MP HDR 131° IP66 IK10

Fixed dome camera for outdoor 30 fps surveillance with H.264/H.265 and IVA Pro Buildings, 5MP, 131° lens, IP66, IK10, NDAA compliant and TAA compliant
Available in North America only
Order number **NUE-3703-F02-GOV**

NUE-3703-F04-GOV Micro dome 5MP HDR 101° IP66 IK10

Fixed dome camera for outdoor 30 fps surveillance with H.264/H.265 and IVA Pro Buildings, 5MP, 101° lens, IP66, IK10, NDAA compliant and TAA compliant
Available in North America only
Order number **NUE-3703-F04-GOV**

NUE-3703-F06-GOV Micro dome 5MP HDR 56° IP66 IK10

Fixed dome camera for outdoor 30 fps surveillance with H.264/H.265 and IVA Pro Buildings, 5MP, 56° lens, IP66, IK10, NDAA compliant and TAA compliant
Available in North America only
Order number **NUE-3703-F06-GOV**

Accessories**NDA-3081-4S 4S adapter plate, 171mm**

4S adapter plate for FLEXIDOME micro 3100i indoor
Order number **NDA-3081-4S**

NDA-5081-TM Tilt mount 20°, 110mm

Tilt mount (20°) for FLEXIDOME panoramic 5100i indoor and FLEXIDOME micro 3100i indoor
Order number **NDA-5081-TM**

NDA-5081-PIP Pendant interface plate, 110mm

Pendant interface plate for the FLEXIDOME micro 3100i indoor and the FLEXIDOME panoramic 5100i families
Order number **NDA-5081-PIP**

NDA-5080-CMB Corner mount box 45°, 110mm

Corner mount box for FLEXIDOME panoramic 5100i indoor and FLEXIDOME micro 3100i, 45° tilt angle
Order number **NDA-5080-CMB**

NDA-5081-PLEN In-ceiling plenum rated kit, 110mm

Plenum-rated in-ceiling mount kit for FLEXIDOME panoramic 5100i and FLEXIDOME micro 3100i
Order number **NDA-5081-PLEN**

NDA-3082-PIP Pendant interface plate, 123mm

Pendant interface plate for FLEXIDOME micro 3100i outdoor
Order number **NDA-3082-PIP**

NDA-U-WMT Pendant wall mount

Universal wall mount for dome cameras, white
Order number **NDA-U-WMT**

NDA-U-WMTG Pendant wall mount, gang box

Universal wall mount, compatible with gang box installation for fixed dome cameras only, white
Order number **NDA-U-WMTG**

NDA-U-PMTE Pendant pipe extension, 20" (50cm)

Extension for universal pipe mount, 50 cm, white
Order number **NDA-U-PMTE**

NDA-U-PMTG Pendant pipe mount, gang box

Universal pipe mount, compatible with gang box installation for fixed dome cameras only, white
Order number **NDA-U-PMTG**

NDA-U-PMTS Pendant pipe mount, 4" (11 cm)

Universal pendant pipe mount for dome cameras, 11 cm (4"), white
Order number **NDA-U-PMTS**

NDA-U-PMAS Pole mount adapter small

Pole mount adapter small
Universal pole mount adapter, white; small.
Order number **NDA-U-PMAS**

NDA-U-PSMB Pendant wall/ceiling mount SMB

Surface mount box (SMB) for wall mount or pipe mount.
Order number **NDA-U-PSMB**

NDA-U-PMT Pendant pipe mount, 12" (31cm)

Universal pipe mount for dome cameras, 31 cm, white
Order number **NDA-U-PMT**

Represented by:**Europe, Middle East, Africa:**

Bosch Security Systems B.V.
P.O. Box 80002
5600 JB Eindhoven, The Netherlands
Phone: +31 40 2577 284
www.boschsecurity.com/xc/en/contact/
www.boschsecurity.com

Germany:

Bosch Sicherheitssysteme GmbH
Robert-Bosch-Ring 5
85630 Grasbrunn
Tel.: +49 (0)89 6290 0
Fax: +49 (0)89 6290 1020
de.securitysystems@bosch.com
www.boschsecurity.com

North America:

Bosch Security Systems, LLC
130 Perinton Parkway
Fairport, New York, 14450, USA
Phone: +1 800 289 0096
Fax: +1 585 223 9180
onlinehelp@us.bosch.com
www.boschsecurity.com

Asia-Pacific:

Robert Bosch (SEA) Pte Ltd, Security Systems
11 Bishan Street 21
Singapore 573943
Phone: +65 6571 2808
Fax: +65 6571 2699
www.boschsecurity.com/xc/en/contact/
www.boschsecurity.com