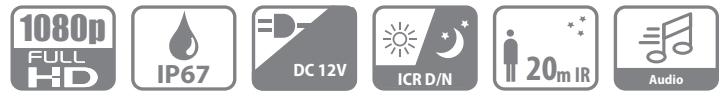


# DH-HAC-HMW3200

2MP Mobile HDCVI IR Cube Camera



- Max 30fps@
- CVI/CVBS/AHD/TVI switchable
- Built-in Mic
- 2.1 mm fixed lens (2.8 mm optional)
- Max. IR length 20 m, Smart IR
- IP67, DC12V
- Shock-proof



## System Overview

Experience a 1080p full HD mobile video surveillance solution with the simplicity of analog infrastructure. The mobile camera is designed with a shock-proof, compact case, which makes it convenient to install and adaptable to various applications. It offers a high quality image as well as a multi-language OSD. In addition, the camera employs the strengths of HDCVI to ensure real-time transmission.

## Functions

### 4 Signals over 1 Coaxial Cable

HDCVI technology supports 4 signals to be transmitted over 1 coaxial cable simultaneously, i.e. video, audio\*, data and power. Dual-way data transmission allows the HDCVI camera to interact with the XVR, such as sending control signal or triggering alarm. Moreover, HDCVI technology supports PoC for construction flexibility.

\* Audio input is available for some models of HDCVI cameras.

### Shock-proof

Vibration is inevitable in mobile applications. In order to avoid image or connection failure, the hardware structure of the mobile camera is shock-proof with the certification of EN50155. Plus, the mobile camera adopts M12 aviation connector for stable connection with MCVR.

### Simplicity

HDCVI technology inherits the born feature of simplicity from traditional analog surveillance system, making itself the best choice for investment protection. HDCVI system can seamlessly upgrade the traditional analog system without replacing existing coaxial cabling. The plug and play approach enables full HD video surveillance without the hassle of configuring a network.

### Smart IR

The camera is designed with IR LED illumination for best lowlight performance. Smart IR is a technology to ensure brightness uniformity in B/W image under low illumination. Dahua's unique Smart IR adjusts to the intensity of camera's infrared LEDs to compensate for the distance of an object, and prevents IR LEDs from overexposing images as the object come closer to the camera.

### Multi-language OSD

OSD menu provides multiple image adjustments and function settings to meet the requirements of different monitoring scenes. The OSD menu includes configurations such as backlight mode, day/night, white balance, privacy mask and motion detect. The camera supports 11 languages for OSD menu, namely, Chinese, English, French, German, Spanish, Portuguese, Italian, Japanese, Korean, Russian and Polish.

### Protection

The camera's outstanding reliability is unsurpassed due to its rugged design. The camera is protected against water and dust with IP67 ranking, making it suitable for indoor or outdoor environments.

With working temperature range of -40°C to +60°C (-40°F to 140°F), the camera is designed for extreme temperature environments.

Supporting ±30% input voltage tolerance, this camera suits even the most unstable power supply conditions. Its 4KV lightning rating provides protection against the camera and its structure from the effects of lightning.

## Technical Specification

### Camera

Image Sensor	1/2.7 inch CMOS
Max. Resolution	1920 (H) x 1080 (V)
Pixel	2MP
Scanning System	Progressive
Electronic Shutter Speed	PAL: 1/25 s~1/100000 s NTSC: 1/30 s~1/100000 s
S/N Ratio	>65 dB
Min. Illumination	0.02 Lux/F2.0, 30IRE, 0 Lux IR on
Illumination Distance	20 m (65.6 ft)
Illuminator On/Off Control	Auto; manual
Illuminator Number	1 (IR)
Pan/Tilt/Rotation Range	Tilt: 0°~180°

### Lens

Lens Type	Fixed-focal				
Mount Type	M12				
Focal Length	2.1 mm; 2.8 mm				
Max. Aperture	2.1 mm: F2.0 2.8 mm: F2.0				
Field of View	2.1 mm: H: 133°; V: 77°; D: 153° 2.8 mm: H: 106°; V: 55°; D: 126°				
Iris Type	Fixed iris				
Close Focus Distance	2.1 mm: 0.3 m (0.98 ft) 2.8 mm: 0.5 m (1.64 ft)				
DORI Distance		Detect	Observe	Recognize	Identify
	2.1 mm	31.3 m (102.7 ft)	12.5 m (41 ft)	6.3 m (20.7 ft)	3.1 m (10.2 ft)
	2.8 mm	38.6 m (126.6 ft)	15.4 m (50.5 ft)	7.7 m (25.3 ft)	3.9 m (12.8 ft)

### Video

Frame Rate	CVI: 1080p@25/30fps; 720p@25/30fps; 720p@50/60fps; AHD: 1080p@25/30fps; 720p@25/30fps; TVI: 1080p@25/30fps; 720p@25/30fps; 720p@50/60fps; CVBS: 960H
Resolution	1080p (1920 × 1080); 720p (1280 × 720); 960H (960 × 576/960 × 480)
Day/Night	Auto switch by ICR
BLC	BLC/HLC/DWDR
WDR	DWDR
White Balance	Auto; manual
Gain Control	Auto; manual
Noise Reduction	2D NR

Smart IR	Yes
Mirror	Off/On
Privacy Masking	Off/On (8 area, rectangle)

### Certifications

Certifications	CE/FCC, UL, IP6K9K, EN50155, E-MARK
----------------	-------------------------------------

### Port

Audio Interface	Built-in Mic
Video Output	1-channel CVI/CVBS/AHD/TVI switchable video output (Aviation connector)
Aviation Connector Interface	1-power 2-video ground 3-power ground 4-video

### Power

Power Supply	12V ±30% DC
Power Consumption	Max 2.3W (12V DC, IR on)

### Environment

Operating Temperature	-40°C to +60°C (-40°F to 140°F); <95% (non-condensation)
Storage Temperature	-40°C to +60°C (-40°F to 140°F); <95% (non-condensation)
Protection Grade	IP67

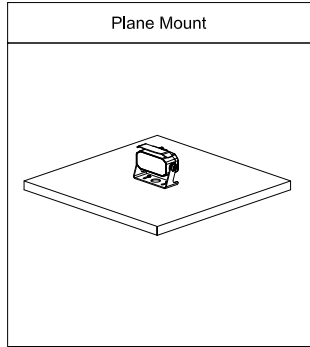
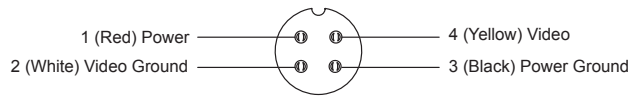
### Structure

Casing	Metal
Dimensions	107.3 mm × 74.9 mm × 54.2 mm (4.23" × 2.95" × 2.15")
Net Weight	0.33 kg (0.73 lb)
Gross Weight	0.44 kg (0.97 lb)

## Ordering Information

Type	Part Number	Description
2MP Camera	DH-HAC-HMW3200P 2.1 mm;	2MP Mobile HDCVI IR Cube Camera, PAL
	DH-HAC-HMW3200P 2.8 mm;	
	DH-HAC-HMW3200N 2.1 mm;	2MP Mobile HDCVI IR Cube Camera, NTSC
	DH-HAC-HMW3200N 2.8 mm;	

Aviation Connector



Dimensions (mm[inch])

