

# DHI-IPMPGI-1031

Dahua Indoor Guidance Screen (One-Layer)



- Provides guidance for vehicles moving in one direction.
- Designed to be highly reliable with a wide view and strong brightness.
- Supports TCP/IP, and displaying the number of available parking spaces in real time.
- Displays the text and symbols in red, green and yellow.
- Displays English letters, Chinese characters, numbers and arrows, allowing you to customize the text.

## System Overview

Indoor Guidance Screen works with the parking guidance and ANPR system to display the number and location of available parking spaces in real time for vehicle owners to easily find available parking spaces. It is widely used in the entrances, exits and controlled areas of parking lots. Designed with an RJ-45 port, the screen is highly compatible and can display text including Chinese characters, English letters, numbers and arrows. The color of the text can be configured to automatically change based on the number of available parking spaces. The screen can also display notices and advertisements for easy management of parking lots.

## Functions

### LED Display

It uses the LED to display text and symbols in red, green and yellow.

### Arrow Configuration

The direction, position and scrolling mode of the arrows can be configured.

### Customizable Colors

Text and symbols are displayed in red, green and yellow based on the number of available parking spaces. Each color can be set to indicate a different parking space status.

## Scene

It is widely used in entrances and exits at parking lots and indoor parking systems.

### Customizable Content

Displays English letters, Chinese characters, numbers and arrows, and allows you to customize their color and scrolling mode.

### Easy to Commission

It is easy to commission, and can be directly configured through a single network port. Software can also be used to perform tests on the device to check the IP display and for defective pixels.

**Technical Specification**

Basic

Display Screen	LED (display in red, green and yellow)
Display Screen Dimensions	488 mm × 244 mm (17.64" × 9.61") (L × W)
Display Contents	English letters, Chinese characters, numbers and arrows
Pixels Configuration	1R1PG
Screen Resolution	2,048 dots (64 × 32, 4 English letters per line), dot splicing: 7.62 mm (0.3")
Display Screen Lifespan	100,000 h
Brightness	1000 cd/m <sup>2</sup>

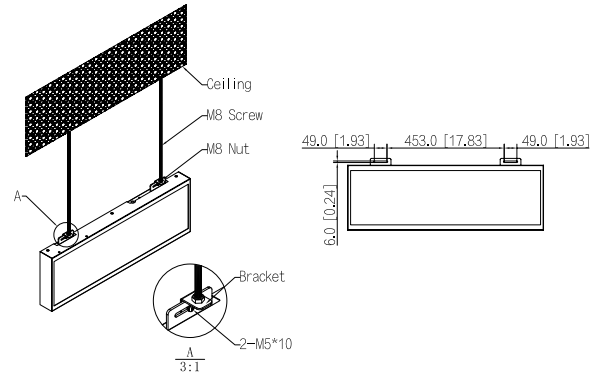
Port

Network Port	1× 100 Mbps RJ-45 Ethernet port
--------------	---------------------------------

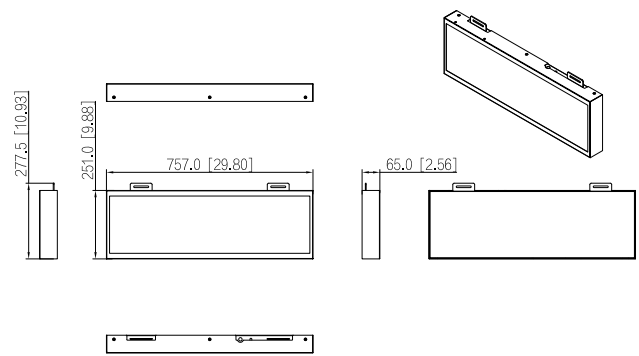
General

Power Supply	100–240 VAC
Power Consumption	<35 W
Operating Temperature	–30 °C to +55 °C (–22 °F to +131 °F)
Storage Temperature	–35 °C to +60 °C (–31 °F to +140 °F)
Operating Humidity	10%–90% (RH), non-condensing
Storage Humidity	10%–90%, non-condensing
Protection	IP50
Product Dimensions	757 mm × 65 mm × 277 mm (29.80" × 2.56" × 10.91") (L × W × H)
Packaging Dimensions	880 mm × 370 mm × 195 mm (34.65" × 14.57" × 7.68") (L × W × H)
Net Weight	5.5 kg (12.13 lb)
Gross Weight	6.5 kg (14.33 lb)
Installation	Ceiling mount

**Installation**



**Dimensions (mm [inch])**



**Installation**

