

## PFA141

### Water-proof Power Box



### Features

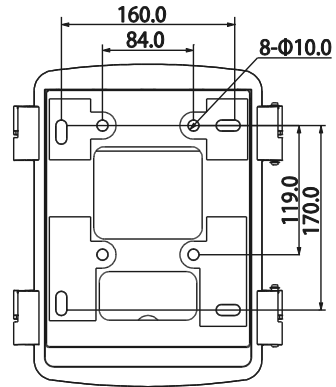
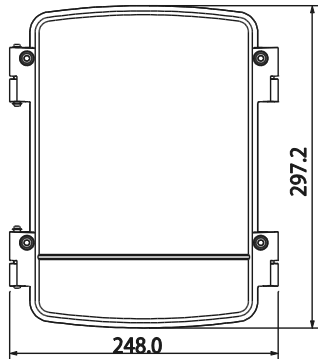
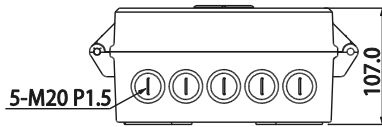
- Material: Aluminum & SECC
- IP66 Power Box
- Neat & Integrated design

### Specifications

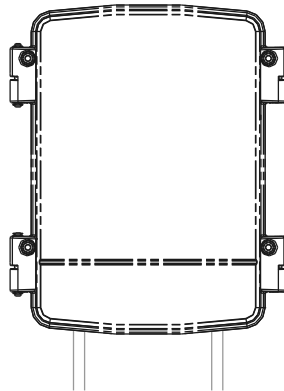
<b>Model</b>	<b>PFA141</b>
<b>General</b>	
Material	Aluminum & SECC
Dimension (W x H x D)	297mm x 248mm x 107mm
Pipe Thread	M20(G1/2")
Operating Temperature	-40°C ~60°C
Humidity	0~90% RH
Load Bearing	8.0Kg
Weight	3.2Kg
Applicable Model	Please see "Accessory Selection"

# PFA141

## Dimensions (mm)



## Application



---

### Dahua Technology Co., Ltd.

1199 BinAn Road, Binjiang District, Hangzhou, China

Tel: +86-571-87688883

Fax: +86-571-87688815

Email: [overseas@dahuatech.com](mailto:overseas@dahuatech.com)

[www.dahuasecurity.com](http://www.dahuasecurity.com)

\*Design and specifications are subject to change without notice.

© 2013 Dahua Technology Co., Ltd.