

DH-PFB306W

Wall Mount Bracket



Features

- Aesthetic design
- Wall mount bracket
- Material: aluminum

Technical Specification

Model DH-PFB306W

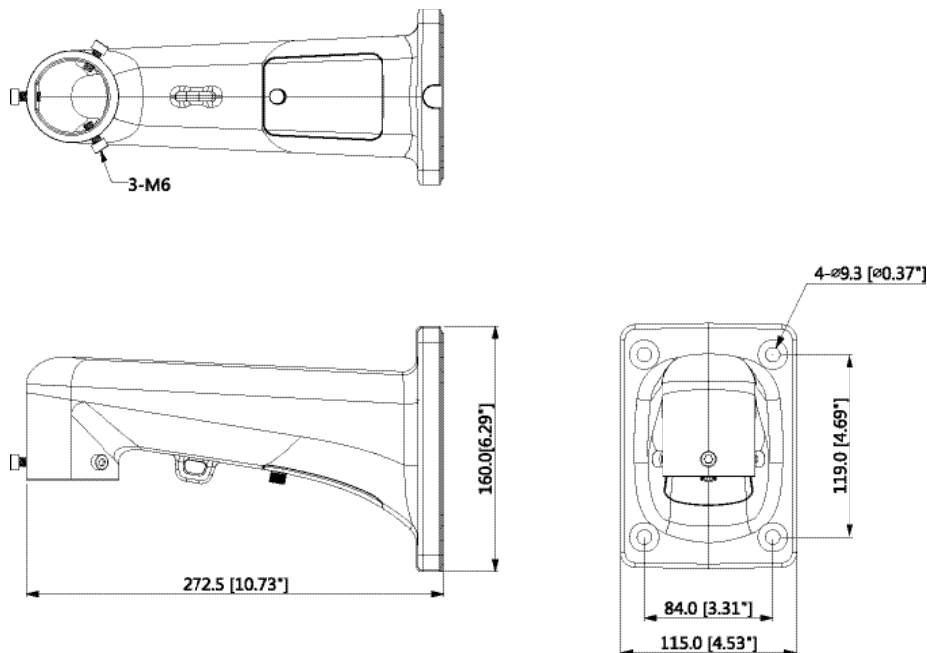
General

Material	Aluminum
Dimension (WxHxD)	115.0mmx160.0mmx270.0mm (4.53"x6.3"x10.63")
Weight	1kg(2.2lb)
Load Bearing	10kg(22.05lb)
Color	White
Installation Mode	Wall-mount
Operating Temperature	-40 °C ~+60 °C (-40 °F ~+140 °F)
Humidity	<90% RH
Applicable Model	Please see "Accessory Selection"

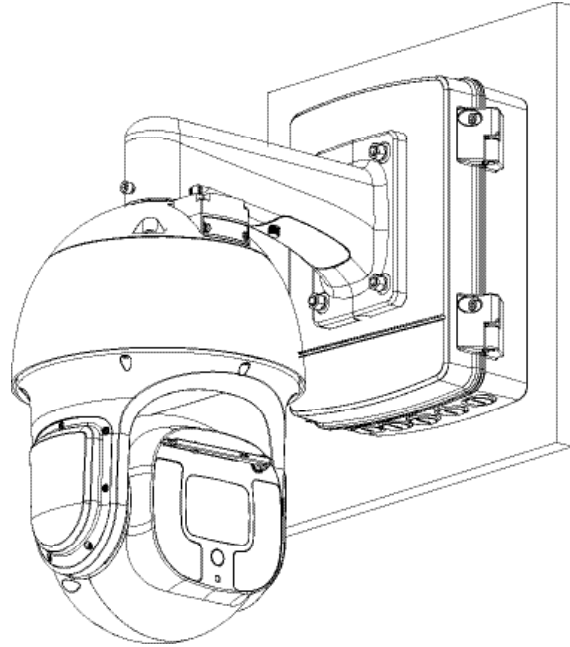
Ordering Information

Type	Part Number	Description
Camera Mount Series	DH-PFB306W	Wall mount bracket
	PFB306W	Wall mount bracket

Dimension(mm/inch)



Application



Package Information

- Wall mount bracket DH-PFB306W*1
- M6 screws *3
- Seal ring *1
- Wrench *1