

# Heavy-duty Ceiling Mount Bracket

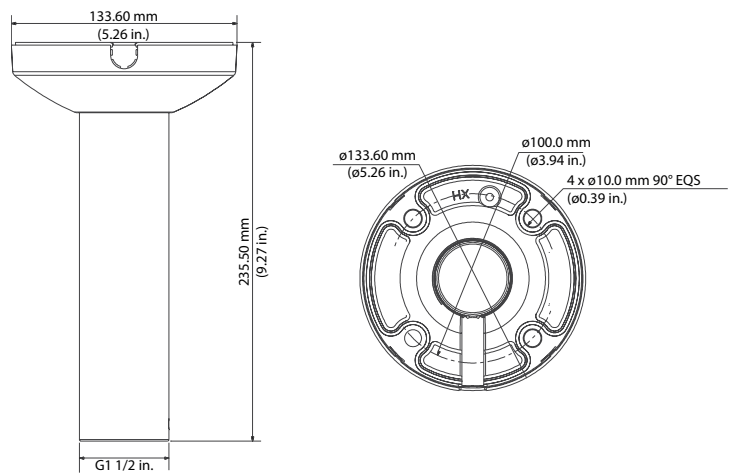


- SUS304 Stainless Steel and Polycarbonate Construction
- Heavy-duty bracket supports up to a 30.0-kg (66.14-lb) Load
- Compatible with the DH-PSDW81642M-A360 Multi-sensor with PTZ

## Technical Specifications

Material	SUS304 Stainless Steel and Polycarbonate
Dimensions	ø133.60 mm x 235.50 mm (ø5.26 in. x 9.27 in.)
Weight	2.20 kg (4.85 lb)
Color	White
Pipe Thread	G1 1/2-in.
Load Bearing Capacity	30.0 kg (66.14 lbs)
Operating Temperature	-40 °C to 60 °C (-40 °F to 140 °F)
Humidity	0% to 90% RH
Applicable Models	Camera • DH-PSDW81642M-A360 Multi-sensor with PTZ

## Dimensions (mm/in.)



## Ordering Information

Type	Part Number	Description
Heavy-duty Ceiling Mount	PFB710W	Ceiling Mount Bracket